

INTERNATIONAL STANDARD

NORME INTERNATIONALE



**Instrument transformers –
Part 9: Digital interface for instrument transformers**

**Transformateurs de mesure –
Partie 9: Interface numérique des transformateurs de mesure**

INTERNATIONAL
ELECTROTECHNICAL
COMMISSION

COMMISSION
ELECTROTECHNIQUE
INTERNATIONALE

ICS 17.220.20

ISBN 978-2-8322-4856-0

**Warning! Make sure that you obtained this publication from an authorized distributor.
Attention! Veuillez vous assurer que vous avez obtenu cette publication via un distributeur agréé.**

CONTENTS

FOREWORD.....	4
INTRODUCTION.....	7
1 Scope.....	12
2 Normative references	12
3 Terms and definitions	13
3.5 Terms and definitions related to other ratings.....	13
3.7 Index of abbreviations	13
4 Normal and special service conditions	14
5 Ratings.....	14
5.6 Rated accuracy class.....	14
5.901 Performance requirements.....	15
6 Design and construction	16
6.901 Technological boundaries	16
6.901.1 Interface point.....	16
6.901.2 Digital output interface	16
6.901.3 Human-machine interface	16
6.902 Electrical requirements	17
6.902.1 Frequency response requirements	17
6.902.2 Maximum processing delay time requirement	17
6.903 Specification of the communications profile	19
6.903.1 General.....	19
6.903.2 Variants	19
6.903.3 Digital output sample rates.....	20
6.903.4 Logical devices	21
6.903.5 Logical nodes LPHD	21
6.903.6 Logical nodes LLN0	21
6.903.7 Logical nodes TCTR	21
6.903.8 Logical nodes TVTR.....	24
6.903.9 Quality	25
6.903.10 Dataset(s).....	26
6.903.11 Multicast sampled value control block(s)	27
6.903.12 Configuration of the merging unit	27
6.903.13 Rated conformance classes	28
6.904 Synchronization	34
6.904.1 General.....	34
6.904.2 Precision time protocol synchronization	34
6.904.3 1PPS synchronization	35
6.904.4 Sample value message SmpSynch attribute.....	35
6.904.5 Holdover mode.....	36
6.904.6 Free-running mode.....	37
6.904.7 Time adjustments.....	37
7 Tests	38
7.2 Type tests.....	38
7.2.6 Test for accuracy	38
7.2.901 Digital output conformance tests	38
7.2.902 Maximum processing delay time test.....	38

7.2.903	Loss of synchronization tests	39
7.2.904	1PPS test.....	39
Annex 9A (informative)	Dynamic range considerations.....	40
Annex 9B (informative)	Time synchronization and management example.....	43
Annex 9C (informative)	Example merging unit ICD file	45
Annex 9D (informative)	Test circuits for accuracy measurement	56
Annex 9E (informative)	Electronic nameplate.....	59
Bibliography.....		60
Figure 901	– General block diagram of an electronic LPIT with digital output	8
Figure 902	– General illustration of the objects within a merging unit (example).....	9
Figure 903	– Electronic LPIT with digital output (concept example).....	10
Figure 904	– Standalone merging unit.....	11
Figure 905	– Duplex LC connector	16
Figure 906	– Maximum processing delay time.....	17
Figure 907	– Output message timestamp point	19
Figure 908	– TCTR naming example	23
Figure 909	– 1PPS signal waveform at the merging unit clock input.....	35
Figure 910	– Time adjustment example (6 ASDU example).....	37
Figure 9A.1	– Nomogram for current	41
Figure 9A.2	– Nomogram for voltage.....	42
Figure 9B.1	– Sampled value signal processing example showing 2ASDUs per message (F4800S2I4U4 example)	43
Figure 9D.1	– Example test circuit	56
Figure 9D.2	– Example test circuit	58
Table 901	– Maximum processing delay time limits	18
Table 902	– Standard sample rates.....	20
Table 903	– Extensions to the LPHD class.....	21
Table 904	– AmpSv object attribute values	23
Table 905	– Extensions to the TCTR class.....	24
Table 906	– VoISv object attribute values	25
Table 907	– Extensions to the TVTR class.....	25
Table 908	– Configuration parameters of the merging unit	28
Table 909	– Basic conformance statement.....	29
Table 910	– ACSI models conformance statement	29
Table 911	– ACSI service conformance statement	31
Table 912	– PICS for A-Profile support	33
Table 913	– PICS for T-Profile support	34

INTERNATIONAL ELECTROTECHNICAL COMMISSION

INSTRUMENT TRANSFORMERS –

Part 9: Digital interface for instrument transformers

FOREWORD

- 1) The International Electrotechnical Commission (IEC) is a worldwide organization for standardization comprising all national electrotechnical committees (IEC National Committees). The object of IEC is to promote international co-operation on all questions concerning standardization in the electrical and electronic fields. To this end and in addition to other activities, IEC publishes International Standards, Technical Specifications, Technical Reports, Publicly Available Specifications (PAS) and Guides (hereafter referred to as “IEC Publication(s)”). Their preparation is entrusted to technical committees; any IEC National Committee interested in the subject dealt with may participate in this preparatory work. International, governmental and non-governmental organizations liaising with the IEC also participate in this preparation. IEC collaborates closely with the International Organization for Standardization (ISO) in accordance with conditions determined by agreement between the two organizations.
- 2) The formal decisions or agreements of IEC on technical matters express, as nearly as possible, an international consensus of opinion on the relevant subjects since each technical committee has representation from all interested IEC National Committees.
- 3) IEC Publications have the form of recommendations for international use and are accepted by IEC National Committees in that sense. While all reasonable efforts are made to ensure that the technical content of IEC Publications is accurate, IEC cannot be held responsible for the way in which they are used or for any misinterpretation by any end user.
- 4) In order to promote international uniformity, IEC National Committees undertake to apply IEC Publications transparently to the maximum extent possible in their national and regional publications. Any divergence between any IEC Publication and the corresponding national or regional publication shall be clearly indicated in the latter.
- 5) IEC itself does not provide any attestation of conformity. Independent certification bodies provide conformity assessment services and, in some areas, access to IEC marks of conformity. IEC is not responsible for any services carried out by independent certification bodies.
- 6) All users should ensure that they have the latest edition of this publication.
- 7) No liability shall attach to IEC or its directors, employees, servants or agents including individual experts and members of its technical committees and IEC National Committees for any personal injury, property damage or other damage of any nature whatsoever, whether direct or indirect, or for costs (including legal fees) and expenses arising out of the publication, use of, or reliance upon, this IEC Publication or any other IEC Publications.
- 8) Attention is drawn to the Normative references cited in this publication. Use of the referenced publications is indispensable for the correct application of this publication.
- 9) Attention is drawn to the possibility that some of the elements of this IEC Publication may be the subject of patent rights. IEC shall not be held responsible for identifying any or all such patent rights.

International Standard IEC 61869-9 has been prepared by IEC technical committee 38: Instrument transformers.

This first edition replaces the corresponding specific requirements previously contained in IEC 60044-8, published in 2002.

This bilingual version (2017-09) corresponds to the English version, published in 2016-04.

The text of this standard is based on the following documents:

FDIS	Report on voting
38/502/FDIS	38/508/RVD

Full information on the voting for the approval of this standard can be found in the report on voting indicated in the above table.

The French version of this standard has not been voted upon.

This publication has been drafted in accordance with the ISO/IEC Directives, Part 2.

A list of all parts in the IEC 61869 series, published under the general title *Instrument transformers*, can be found on the IEC website.

This publication contains an attached file in the form of a .xml file. This file is intended to be used as a complement and does not form an integral part of the publication.

This International Standard contains specific requirements for electronic low power instrument transformers (LPIT) having a digital output.

This Part 9 is to be read in conjunction with, and is based on, IEC 61869-1:2007, *General requirements* and IEC 61869-6:2016. However, the reader is encouraged to use its most recent edition.

This Part 9 follows the structure of IEC 61869-6 and IEC 61869-1 and supplements or modifies their corresponding clauses/subclauses.

When a particular clause/subclause of Part 6 is not mentioned in this Part 9, that clause/subclause applies. When this standard states “addition”, “modification” or “replacement”, the relevant text in Part 6 is to be adapted accordingly.

When a particular clause/subclause of Part 1 is not mentioned in Part 6, that clause/subclause applies. When Part 6 states “addition”, “modification” or “replacement”, the relevant text in Part 1 is to be adapted accordingly.

For additional clauses, subclauses, figures, tables, annexes or note, the following numbering system is used:

- clauses, subclauses, tables, figures and notes that are numbered starting from 901 are additional to those in Part 1;
- additional annexes are lettered 9A, 9B, etc.

An overview of the planned set of standards at the date of publication of this document is given below. The updated list of standards issued by IEC TC 38 is available at the website: www.iec.ch.

PRODUCT FAMILY STANDARDS	PRODUCT STANDARD IEC	PRODUCTS	OLD STANDARD IEC	
61869-1 GENERAL REQUIREMENTS FOR INSTRUMENT TRANSFORMERS	61869-2	ADDITIONAL REQUIREMENTS FOR CURRENT TRANSFORMERS	60044-1 60044-6	
	61869-3	ADDITIONAL REQUIREMENTS FOR INDUCTIVE VOLTAGE TRANSFORMERS	60044-2	
	61869-4	ADDITIONAL REQUIREMENTS FOR COMBINED TRANSFORMERS	60044-3	
	61869-5	ADDITIONAL REQUIREMENTS FOR CAPACITOR VOLTAGE TRANSFORMERS	60044-5	
	61869-6 ADDITIONAL GENERAL REQUIREMENTS FOR LOW POWER INSTRUMENT TRANSFORMERS	61869-7	ADDITIONAL REQUIREMENTS FOR ELECTRONIC VOLTAGE TRANSFORMERS	60044-7
		61869-8	ADDITIONAL REQUIREMENTS FOR ELECTRONIC CURRENT TRANSFORMERS	60044-8
		61869-9	DIGITAL INTERFACE FOR INSTRUMENT TRANSFORMERS	
		61869-10	ADDITIONAL REQUIREMENTS FOR LOW POWER PASSIVE CURRENT TRANSFORMERS	
		61869-11	ADDITIONAL REQUIREMENTS FOR LOW POWER PASSIVE VOLTAGE TRANSFORMERS	60044-7
		61869-12	ADDITIONAL REQUIREMENTS FOR COMBINED ELECTRONIC INSTRUMENT TRANSFORMERS AND COMBINED STAND ALONE INSTRUMENT TRANSFORMERS	
		61869-13	STAND ALONE MERGING UNIT	
		61869-14	ADDITIONAL REQUIREMENTS FOR DC CURRENT TRANSFORMERS	
		61869-15	ADDITIONAL REQUIREMENTS FOR DC VOLTAGE TRANSFORMERS FOR DC APPLICATIONS	

The committee has decided that the contents of this publication will remain unchanged until the stability date indicated on the IEC web site under "<http://webstore.iec.ch>" in the data related to the specific publication. At this date, the publication will be

- reconfirmed,
- withdrawn,
- replaced by a revised edition, or
- amended.

IMPORTANT – The 'colour inside' logo on the cover page of this publication indicates that it contains colours which are considered to be useful for the correct understanding of its contents. Users should therefore print this document using a colour printer.

INTRODUCTION

General

This standard is a product family standard for instrument transformers. It provides an application of the standard series IEC 61850, which details layered substation communication architecture in the world of instrument transformers.

By providing tutorial material such as examples and explanations, it also provides access for instrument transformer, protective relay and meter experts to concepts and methods applied in the IEC 61850 series.

Compared to instrument transformers, digital communication technology is subject to on-going changes which are expected to continue in the future. Significant experience with electronics integrated directly into instrument transformers has yet to be gathered on a broader basis, as this type of equipment is not widely spread in the industry and a change of paradigm has not yet occurred.

Position of this standard in relation to the IEC 61850 series

The IEC 61850 series is a standard intended to be used for communication networks and systems for power utility automation. The most important parts of this series define:

- a) information models for the substation automation system;
- b) these information models include both the models of the instrument transformers and other process equipment (like circuit-breakers and disconnectors), and the models of the substation automation system (like protection relays and meters). The models are defined in IEC 61850-7-3 and IEC 61850-7-4;
- c) the communication between intelligent electronic devices (IEDs) of the substation automation system. The abstract models are defined in IEC 61850-7-2 and the mappings on communication stacks are defined in IEC 61850-8-1 and IEC 61850-9-2;
- d) a configuration language used to describe the configuration aspects of the substation automation system is described in IEC 61850-6;
- e) conformance testing of the communication interfaces of the IEDs of the power utility automation system including their data models. The conformance testing is defined in IEC 61850-10.

Typically, in a traditional system, IEDs like bay level controllers or protection relays interface directly through analogue signals to instrument transformers. In that case, the data models of the instrument transformers are implemented in these bay level devices. However, this is not the only realization. In the case where electronics are integrated directly into electronic LPIT, the above-mentioned data models should be implemented within the instrument transformer and the instrument transformer needs to support a communication interface. The part of an electronic LPIT that does this is known as the merging unit.

IEC 61850, being a system oriented standard series, leaves many options open in order to support present and future requirements of all sizes of substations at all voltage levels.

To reduce the engineering amount required to achieve interoperability for the digital interface between instrument transformers and equipment that uses the digital signal (like protective relays, meters or bay level controllers), this standard specifies additional constraints on implementing a digital communication interface.

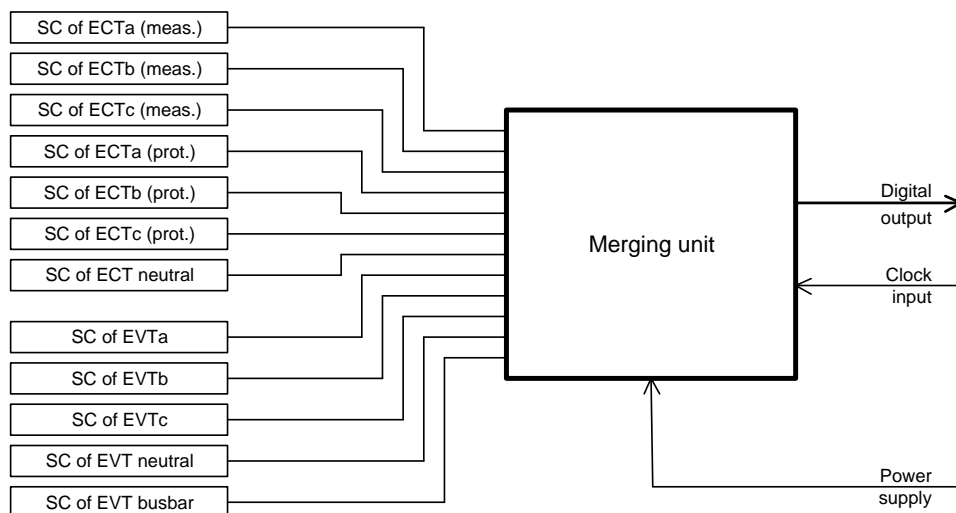
The IEC 61869-9 standard:

- replaces the IEC 60044-8 digital solution;

- provides a product standard for instrument transformers with a digital interface according to the IEC 61850 series; similar to what IEC 62271-3 offers for switchgear;
- includes backward compatibility for the UCA International Users Group *Implementation Guideline for Digital Interface to Instrument Transformers Using IEC 61850-9-2*;
- uses IEC 61588 based time synchronization in accordance with IEC/IEEE 61850-9-3, with an option for 1PPS (pulse per second).

Overview of the digital interface for instrument transformers

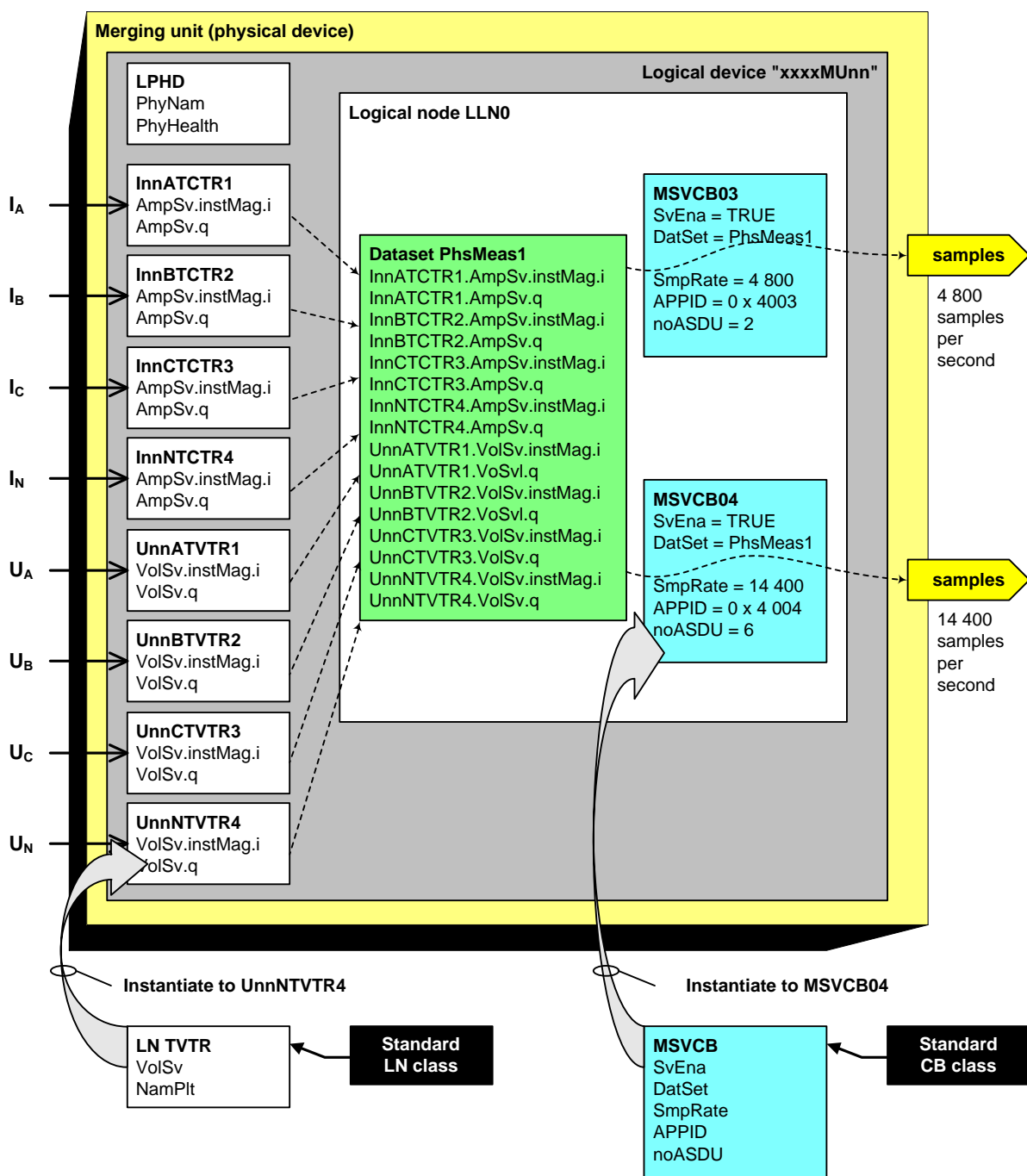
An illustrative general block diagram of an instrument transformer with digital output is shown in Figure 901. It shows multiple current and/or voltage information coming from the secondary converters (SC in Figure 901) and fed into a common block labelled “merging unit”. The merging unit performs all the data processing (sampling, analogue to digital conversion, scaling, message formatting, etc.) necessary to produce a time-coherent output data stream according to this standard. For the purposes of this standard a merging unit is a physical unit (hardware subsystem) used to assemble and transmit digital output data frames.



IEC

Figure 901 – General block diagram of an electronic LPIT with digital output

A merging unit is modelled as one or more logical devices that contain multiple logical nodes as illustrated in Figure 902.



IEC

Figure 902 – General illustration of the objects within a merging unit (example)

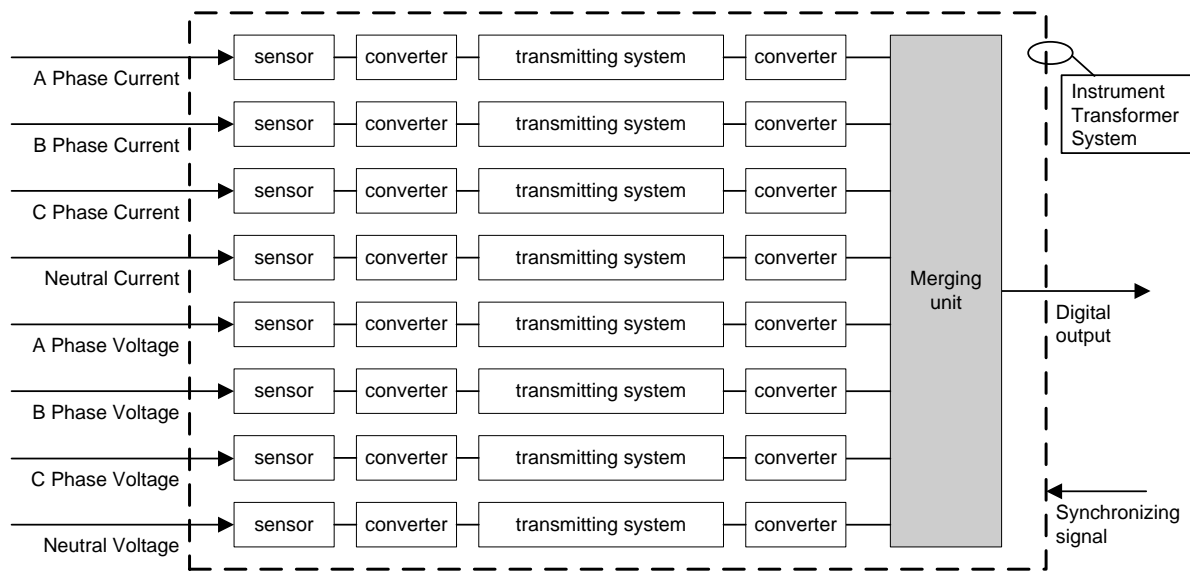
Current and voltage measurements in the example merging unit in Figure 902 are modelled per IEC 61850-7-1 by using the following logical nodes:

- Class **TCTR** per IEC 61850-7-4, instantiated individually for each of the three current transformer phases, and for the neutral current measurement.
- Class **TVTR** per IEC 61850-7-4, instantiated individually for each of the three voltage transformer phases, and for the neutral voltage measurement.
- Logical node zero **LLN0** containing instances of the sampled value control blocks (MSVCB03 and MSVCB04 in this example) controlling simultaneous publishing of IEC 61850-9-2 data streams (in this example one with 4 800 samples per second and 2 samples per frame yielding a frame rate of 2 400 per second, the other with 14 400 samples per second and 6 samples per frame also yielding a frame rate of

2 400 per second), and a dataset that controls the content of the sampled value digital output messages.

Applicable sample rates, time synchronization, control blocks and dataset are defined in this standard.

Physical realization of the above concepts may vary with the applied technology determining which parts are necessary for the realization of an actual instrument transformer. One such realization showing an electronic LPIT with built-in digital data output is shown in Figure 903 and further described in the relevant product specific standards in the IEC 61869 series (Part 7, Part 8, Part 12, Part 14, Part 15).

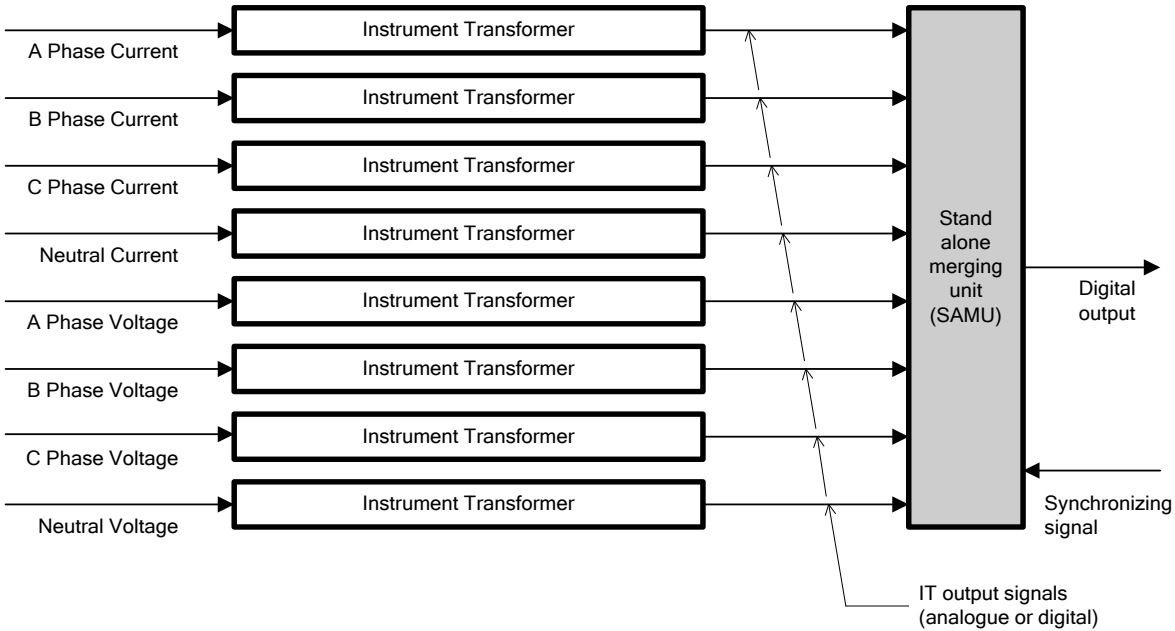


IEC

Figure 903 – Electronic LPIT with digital output (concept example)

It is not absolutely necessary that all parts shown in Figure 903 be included. For clarity, power supplies are not shown here. An instrument transformer may be implemented in a single physical unit or in multiple physical units. For example, there may be a separate physical unit for each phase containing the primary voltage and/or current sensors, primary converters and primary insulation, with all secondary converters and the merging unit in a separate physical unit located in the control house. The number of primary inputs and their type (voltage or current) in a single instrument transformer may be other than shown here.

For comparison, an illustrative general block diagram of an installation using a stand-alone merging unit (SAMU) is shown in Figure 904. Unlike the merging unit in an instrument transformer, a SAMU is a separate product covered in IEC 61869-13. It accepts as inputs the outputs of instrument transformers, said outputs conforming to the specifications of one of the product standards in the IEC 61869 series. The number of inputs and their type (voltage or current) may be other than shown in Figure 904. Output produced by a SAMU and output produced by an electronic LPIT with built in merging unit should in principle be indistinguishable from each other (excluding the fact that SAMU output will typically have lower accuracy due to cascading the separately given instrument transformer and SAMU accuracy specifications).



IEC

An example will be presented in IEC 61869-13¹, as soon as this standard will be available.

Figure 904 – Standalone merging unit

¹ Under consideration.

INSTRUMENT TRANSFORMERS –

Part 9: Digital interface for instrument transformers

1 Scope

This part of IEC 61869 is a product family standard applicable to instrument transformers with digital output. The product standard is composed of IEC 61869-1 and IEC 61869-6, in addition to this standard and the relevant product specific standards in the IEC 61869 series (Part 7, Part 8, Part 12, Part 13, Part 14, and Part 15).

This standard defines requirements for digital communications of instrument transformer measurements. It is based on the IEC 61850 series, UCA international users group document *Implementation guideline for digital interface to instrument transformers using IEC 61850-9-2*, and the relevant parts of IEC 60044-8 that are replaced by this standard. It includes additional improvements including the IEC 61588 network based time synchronization.

2 Normative references

The following documents, in whole or in part, are normatively referenced in this document and are indispensable for its application. For dated references, only the edition cited applies. For undated references, the latest edition of the referenced document (including any amendments) applies.

Clause 2 of IEC 61869-6:2016 is applicable with the following additions:

IEC 61588:2009, *Precision clock synchronization protocol for networked measurement and control systems*

IEC 61850-6:2009, *Communication networks and systems for power utility automation – Part 6: Configuration description language for communication in electrical substations related to IEDs*

IEC 61850-7-1:2011, *Communication networks and systems for power utility automation – Part 7-1: Basic communication structure – Principles and models*

IEC 61850-7-2:2010, *Communication networks and systems for power utility automation – Part 7-2: Basic information and communication structure – Abstract communication service interface (ACSI)*

IEC 61850-7-3:2010, *Communication networks and systems for power utility automation – Part 7-3: Basic communication structure – Common data classes*

IEC 61850-8-1:2011, *Communication networks and systems for power utility automation – Part 8-1: Specific communication service mapping (SCSM) – Mappings to MMS (ISO 9506-1 and ISO 9506-2) and to ISO/IEC 8802-3*

IEC 61850-9-2:2011, *Communication networks and systems for power utility automation – Part 9-2: Specific communication service mapping (SCSM) – Sampled values over ISO/IEC 8802-3*

IEC/IEEE 61850-9-3:2016, *Communication networks and systems for power utility automation – Part 9-3: Precision time protocol profile for power utility automation*

IEC 61850-10:2012, *Communication networks and systems for power utility automation – Part 10: Conformance testing*

IEC 61869-6:2016, *Instrument transformers – Part 6: Additional general requirements for low-power instrument transformers*

UCA (International Users Group), *Implementation guideline for digital interface to instrument transformers using IEC 61850-9-2*

SOMMAIRE

AVANT-PROPOS.....	64
INTRODUCTION.....	67
1 Domaine d'application	74
2 Références normatives.....	74
3 Termes et définitions	75
3.5 Termes et définitions liés aux autres caractéristiques assignées.....	75
3.7 Index des abréviations.....	75
4 Conditions de service normales et spéciales	76
5 Caractéristiques assignées.....	76
5.6 Classe de précision assignée	76
5.901 Exigences de performances.....	77
6 Conception et construction	78
6.901 Limites technologiques	78
6.901.1 Point d'interface.....	78
6.901.2 Interface de sortie numérique.....	78
6.901.3 Interface homme-machine.....	79
6.902 Exigences électriques.....	79
6.902.1 Exigences de réponse en fréquence	79
6.902.2 Exigence de temps de retard de traitement maximal	79
6.903 Spécification du profil de communication	82
6.903.1 Généralités	82
6.903.2 Variantes	82
6.903.3 Fréquences d'échantillonnage de la sortie numérique	83
6.903.4 Dispositifs logiques	84
6.903.5 Nœuds logiques LPHD.....	85
6.903.6 Nœuds logiques LLN0.....	85
6.903.7 Nœuds logiques TCTR.....	85
6.903.8 Nœuds logiques TVTR.....	87
6.903.9 Qualité	88
6.903.10 Ensemble(s) de données.....	89
6.903.11 Bloc(s) de contrôle des valeurs échantillonnées multidiffusion	90
6.903.12 Configuration du concentrateur	91
6.903.13 Classes de conformité assignées	92
6.904 Synchronisation	98
6.904.1 Généralités	98
6.904.2 Synchronisation PTP.....	98
6.904.3 Synchronisation 1 imp/s	98
6.904.4 Attribut SmpSynch du message des valeurs échantillonnées	99
6.904.5 Mode de maintien	100
6.904.6 Mode libre.....	101
6.904.7 Ajustements chronologiques	101
7 Essais	102
7.2 Essais de type	102
7.2.6 Essai concernant la précision.....	102
7.2.901 Essais de conformité de la sortie numérique	102
7.2.902 Essai de limite de temps de retard de traitement maximal	102

7.2.903	Essais de perte de synchronisation	103
7.2.904	Essai 1 imp/s	104
Annexe 9A (informative)	Considérations relatives à la plage dynamique	105
Annexe 9B (informative)	Exemple de synchronisation et de gestion	110
Annexe 9C (informative)	Exemple de fichier ICD de concentrateur.....	112
Annexe 9D (informative)	Circuits d'essai pour les mesurages de précision	123
Annexe 9E (informative)	Plaque signalétique électronique	126
Bibliographie.....		127
Figure 901	– Schéma de principe général d'un transformateur de mesure électronique de faible puissance à sortie numérique	69
Figure 902	– Représentation générale des objets dans un concentrateur (exemple)	70
Figure 903	– Transformateur de mesure électronique de faible puissance à sortie numérique (exemple de concept)	72
Figure 904	– Concentrateur indépendant	73
Figure 905	– Connecteur LC duplex.....	79
Figure 906	– Temps de retard de traitement maximal.....	80
Figure 907	– Point d'horodatage du message de sortie.....	82
Figure 908	– Exemple d'attribution de nom TCTR	86
Figure 909	– Forme d'onde du signal 1 imp/s à l'entrée de l'horloge du concentrateur	99
Figure 910	– Exemple d'ajustement chronologique (exemple 6 ASDU).....	101
Figure 9A.1	– Nomogramme du courant.....	107
Figure 9A.2	– Nomogramme de la tension	109
Figure 9B.1	– Exemple de traitement du signal de valeurs échantillonnées indiquant 2 ASDU par message (exemple F4800S2I4U4)	111
Figure 9D.1	– Exemple de circuit d'essai	123
Figure 9D.2	– Exemple de circuit d'essai	125
Tableau 901	– Limites de temps de retard de traitement maximal	81
Tableau 902	– Fréquences d'échantillonnage normalisées.....	84
Tableau 903	– Extensions à la classe LPHD	85
Tableau 904	– Valeurs d'attribut de l'objet AmpSv	87
Tableau 905	– Extensions à la classe TCTR	87
Tableau 906	– Valeurs d'attribut de l'objet VoISv	88
Tableau 907	– Extensions à la classe TVTR	88
Tableau 908	– Paramètres de configuration du concentrateur.....	91
Tableau 909	– Déclaration de conformité de base.....	93
Tableau 910	– Déclaration de conformité des modèles ACSI	93
Tableau 911	– Déclaration de conformité de service ACSI	95
Tableau 912	– PICS pour la prise en charge de Profil A.....	97
Tableau 913	– PICS pour la prise en charge de Profil T	97

COMMISSION ÉLECTROTECHNIQUE INTERNATIONALE

TRANSFORMATEURS DE MESURE –

Partie 9: Interface numérique des transformateurs de mesure

AVANT-PROPOS

- 1) La Commission Électrotechnique Internationale (IEC) est une organisation mondiale de normalisation composée de l'ensemble des comités électrotechniques nationaux (Comités nationaux de l'IEC). L'IEC a pour objet de favoriser la coopération internationale pour toutes les questions de normalisation dans les domaines de l'électricité et de l'électronique. À cet effet, l'IEC – entre autres activités – publie des Normes internationales, des Spécifications techniques, des Rapports techniques, des Spécifications accessibles au public (PAS) et des Guides (ci-après dénommés "Publication(s) de l'IEC"). Leur élaboration est confiée à des comités d'études, aux travaux desquels tout Comité national intéressé par le sujet traité peut participer. Les organisations internationales, gouvernementales et non gouvernementales, en liaison avec l'IEC, participent également aux travaux. L'IEC collabore étroitement avec l'Organisation Internationale de Normalisation (ISO), selon des conditions fixées par accord entre les deux organisations.
- 2) Les décisions ou accords officiels de l'IEC concernant les questions techniques représentent, dans la mesure du possible, un accord international sur les sujets étudiés, étant donné que les Comités nationaux de l'IEC intéressés sont représentés dans chaque comité d'études.
- 3) Les Publications de l'IEC se présentent sous la forme de recommandations internationales et sont agréées comme telles par les Comités nationaux de l'IEC. Tous les efforts raisonnables sont entrepris afin que l'IEC s'assure de l'exactitude du contenu technique de ses publications; l'IEC ne peut pas être tenue responsable de l'éventuelle mauvaise utilisation ou interprétation qui en est faite par un quelconque utilisateur final.
- 4) Dans le but d'encourager l'uniformité internationale, les Comités nationaux de l'IEC s'engagent, dans toute la mesure possible, à appliquer de façon transparente les Publications de l'IEC dans leurs publications nationales et régionales. Toutes divergences entre toutes Publications de l'IEC et toutes publications nationales ou régionales correspondantes doivent être indiquées en termes clairs dans ces dernières.
- 5) L'IEC elle-même ne fournit aucune attestation de conformité. Des organismes de certification indépendants fournissent des services d'évaluation de conformité et, dans certains secteurs, accèdent aux marques de conformité de l'IEC. L'IEC n'est responsable d'aucun des services effectués par les organismes de certification indépendants.
- 6) Tous les utilisateurs doivent s'assurer qu'ils sont en possession de la dernière édition de cette publication.
- 7) Aucune responsabilité ne doit être imputée à l'IEC, à ses administrateurs, employés, auxiliaires ou mandataires, y compris ses experts particuliers et les membres de ses comités d'études et des Comités nationaux de l'IEC, pour tout préjudice causé en cas de dommages corporels et matériels, ou de tout autre dommage de quelque nature que ce soit, directe ou indirecte, ou pour supporter les coûts (y compris les frais de justice) et les dépenses découlant de la publication ou de l'utilisation de cette Publication de l'IEC ou de toute autre Publication de l'IEC, ou au crédit qui lui est accordé.
- 8) L'attention est attirée sur les références normatives citées dans cette publication. L'utilisation de publications référencées est obligatoire pour une application correcte de la présente publication.
- 9) L'attention est attirée sur le fait que certains des éléments de la présente Publication de l'IEC peuvent faire l'objet de droits de brevet. L'IEC ne saurait être tenue pour responsable de ne pas avoir identifié de tels droits de brevets et de ne pas avoir signalé leur existence.

La Norme internationale IEC 61869-9 a été établie par le comité d'études 38 de l'IEC: Transformateurs de mesure.

Cette première édition remplace les exigences spécifiques correspondantes de l'IEC 60044-8, parue en 2002.

La présente version bilingue (2017-09) correspond à la version anglaise monolingue publiée en 2016-04.

Le texte anglais de cette norme est issu des documents 38/502/FDIS et 38/508/RVD.

Le rapport de vote 38/508/RVD donne toute information sur le vote ayant abouti à l'approbation de cette norme.

La version française de cette norme n'a pas été soumise au vote.

Cette publication a été rédigée selon les Directives ISO/IEC, Partie 2.

Une liste de toutes les parties de la série IEC 61869, publiées sous le titre général *Transformateurs de mesure*, peut être consultée sur le site web de l'IEC.

La présente publication contient un fichier joint sous la forme de fichier .xml. Ce fichier est destiné à être utilisé en complément de la présente publication et n'en fait pas partie intégrante.

La présente Norme internationale contient les exigences spécifiques relatives aux transformateurs de mesure électroniques de faible puissance (LPIT) équipés d'une sortie numérique.

La présente Partie 9 doit être utilisée conjointement avec l'IEC 61869-1:2007, *Exigences générales*, et l'IEC 61869-6:2016, sur lesquelles elle s'appuie. Le lecteur est toutefois invité à utiliser l'édition la plus récente.

La présente Partie 9 respecte la structure de l'IEC 61869-6 et de l'IEC 61869-1 et complète ou modifie leurs articles/paragraphes correspondants.

Lorsqu'un article/paragraphe particulier de la Partie 6 n'est pas mentionné dans la présente Partie 9, ledit article/paragraphe s'applique. Lorsque la présente norme mentionne "addition", "modification" ou "remplacement", le texte correspondant de la Partie 6 doit être adapté en conséquence.

Lorsqu'un article/paragraphe particulier de la Partie 1 n'est pas mentionné dans la Partie 6, ledit article/paragraphe s'applique. Lorsque la Partie 6 mentionne "addition", "modification" ou "remplacement", le texte correspondant de la Partie 1 doit être adapté en conséquence.

Pour les articles, paragraphes, figures, tableaux, annexes ou notes supplémentaires, le système de numérotation suivant est utilisé:

- les articles, paragraphes, tableaux, figures et notes qui sont numérotés à partir de 901 sont complémentaires à ceux de la Partie 1;
- les annexes supplémentaires sont indiquées par 9A, 9B, etc.

Un aperçu de l'ensemble planifié de normes à la date de publication du présent document est indiqué ci-dessous. La liste de normes à jour publiée par le TC 38 de l'IEC est disponible sur le site web: www.iec.ch.

NORMES DE FAMILLES DE PRODUITS	NORME DE PRODUIT IEC	PRODUITS	ANCIENNE NORME IEC	
61869-1 EXIGENCES GÉNÉRALES CONCERNANT LES TRANSFORMATEURS DE MESURE	61869-2	EXIGENCES SUPPLÉMENTAIRES CONCERNANT LES TRANSFORMATEURS DE COURANT	60044-1 60044-6	
	61869-3	EXIGENCES SUPPLÉMENTAIRES CONCERNANT LES TRANSFORMATEURS INDUCTIFS DE TENSION	60044-2	
	61869-4	EXIGENCES SUPPLÉMENTAIRES CONCERNANT LES TRANSFORMATEURS COMBINÉS	60044-3	
	61869-5	EXIGENCES SUPPLÉMENTAIRES CONCERNANT LES TRANSFORMATEURS CONDENSATEURS DE TENSION	60044-5	
	61869-6 EXIGENCES GÉNÉRALES SUPPLÉMENTAIRES CONCERNANT LES TRANSFORMATEURS DE MESURE DE FAIBLE PUISSANCE	61869-7	EXIGENCES SUPPLÉMENTAIRES CONCERNANT LES TRANSFORMATEURS DE TENSION ÉLECTRONIQUES	60044-7
		61869-8	EXIGENCES SUPPLÉMENTAIRES CONCERNANT LES TRANSFORMATEURS DE COURANT ÉLECTRONIQUES	60044-8
		61869-9	INTERFACE NUMÉRIQUE POUR LES TRANSFORMATEURS DE MESURE	
		61869-10	EXIGENCES SUPPLÉMENTAIRES CONCERNANT LES TRANSFORMATEURS DE COURANT PASSIFS DE FAIBLE PUISSANCE	
		61869-11	EXIGENCES SUPPLÉMENTAIRES CONCERNANT LES TRANSFORMATEURS DE TENSION PASSIFS DE FAIBLE PUISSANCE	60044-7
		61869-12	EXIGENCES SUPPLÉMENTAIRES CONCERNANT LES TRANSFORMATEURS DE MESURE ÉLECTRONIQUES COMBINÉS ET LES TRANSFORMATEURS DE MESURE AUTONOMES COMBINÉS	
		61869-13	CONCENTRATEUR INDÉPENDANT	
		61869-14	EXIGENCES SUPPLÉMENTAIRES CONCERNANT LES TRANSFORMATEURS DE COURANT POUR APPLICATION EN COURANT CONTINU	
		61869-15	EXIGENCES SUPPLÉMENTAIRES CONCERNANT LES TRANSFORMATEURS DE TENSION CONTINUE POUR APPLICATION EN COURANT CONTINU	

Le comité a décidé que le contenu de cette publication ne sera pas modifié avant la date de stabilité indiquée sur le site web de l'IEC sous "<http://webstore.iec.ch>" dans les données relatives à la publication recherchée. À cette date, la publication sera

- reconduite,
- supprimée,
- remplacée par une édition révisée, ou
- amendée.

IMPORTANT – Le logo 'colour inside' qui se trouve sur la page de couverture de cette publication indique qu'elle contient des couleurs qui sont considérées comme utiles à une bonne compréhension de son contenu. Les utilisateurs devraient, par conséquent, imprimer cette publication en utilisant une imprimante couleur.

INTRODUCTION

Généralités

La présente norme est une norme de famille de produits concernant les transformateurs de mesure. Elle présente une application de la série de normes IEC 61850, qui détaille l'architecture de communication en couches applicable aux postes électriques dans le domaine des transformateurs de mesure.

En proposant un support de formation (sous forme d'exemples et d'explications, par exemple), elle offre également un accès au transformateur de mesure, aux relais de protection et aux mesures relatives aux concepts et méthodes appliqués dans la série IEC 61850.

Comparée aux transformateurs de mesure, la technologie de communication numérique fait l'objet de modifications en cours qu'il est prévu de poursuivre à l'avenir. Une expérience significative consistant à intégrer les éléments électroniques directement dans les transformateurs de mesure doit encore être reproduite à plus grande échelle, ce type de matériel n'étant pas largement diffusé dans l'industrie, et une modification de paradigme ne s'étant pas encore produite.

Position de la présente norme par rapport à la série IEC 61850

La série IEC 61850 est une norme qu'il est prévu d'utiliser pour les réseaux et systèmes de communication pour l'automatisation des systèmes électriques. Les parties les plus importantes de cette série définissent:

- a) les modèles d'informations du système d'automatisation de poste;
- b) ces modèles d'informations comprennent les modèles des transformateurs de mesure et d'autres matériels de processus (tels que les disjoncteurs et les sectionneurs) et les modèles du système d'automatisation de poste (tels que les relais de protection et les compteurs). Les modèles sont définis dans l'IEC 61850-7-3 et l'IEC 61850-7-4;
- c) la communication entre les appareils électroniques intelligents (IED - intelligent electronic device) du système d'automatisation de poste. Les modèles abstraits sont définis dans l'IEC 61850-7-2, et les mises en correspondance sur les piles de communication sont définies dans l'IEC 61850-8-1 et l'IEC 61850-9-2;
- d) un langage de configuration utilisé pour décrire les aspects liés à la configuration du système d'automatisation de poste est décrit dans l'IEC 61850-6;
- e) les essais de conformité des interfaces de communication des IED du système d'automatisation des systèmes électriques, y compris leurs modèles de données. Les essais de conformité sont définis dans l'IEC 61850-10.

En règle générale, dans un système traditionnel, les IED (comme les contrôleurs au niveau baie ou relais de protection) interfacent directement avec les transformateurs de mesure grâce aux signaux analogiques. Dans ce cas, les modèles de données des transformateurs de mesure sont mis en œuvre dans ces dispositifs au niveau baie. Toutefois, il ne s'agit pas de la seule réalisation. Si les éléments électroniques sont intégrés directement dans les transformateurs de mesure électroniques de faible puissance, il convient de mettre en œuvre les modèles de données susmentionnés dans le transformateur de mesure, lequel nécessite la prise en charge d'une interface de communication. La partie d'un transformateur de mesure électronique de faible puissance qui effectue cette prise en charge est le concentrateur.

L'IEC 61850, qui est une série de normes orientées système, laisse de nombreuses possibilités afin de prendre en charge les exigences présentes et futures de tous les types de postes, à tous les niveaux de tension.

Pour limiter les opérations d'ingénierie exigées pour assurer l'interopérabilité de l'interface numérique entre les transformateurs de mesure et les équipements qui utilisent le signal

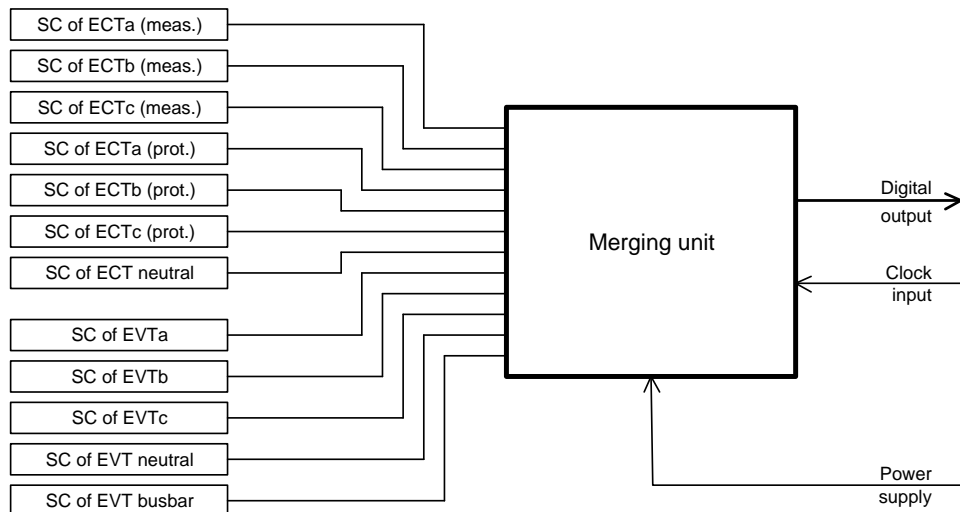
numérique (tels que les relais de protection, les compteurs ou les contrôleurs au niveau baie), la présente norme spécifie des contraintes supplémentaires quant à la mise en œuvre d'une interface de communication numérique.

La norme IEC 61869-9:

- remplace la solution numérique IEC 60044-8;
- fournit une norme de produit pour les transformateurs de mesure à interface numérique conformément à la série IEC 61850 (analogue à ce que l'IEC 62271-3 propose pour les appareillages);
- inclut une compatibilité ascendante pour l'*Implementation Guideline for Digital Interface to Instrument Transformers Using IEC 61850-9-2* de l'UCA International Users Group;
- utilise la synchronisation basée sur le réseau de l'IEC 61588 conformément à l'IEC/IEEE 61850-9-3, avec une option pour 1 imp/s (impulsion par seconde).

Vue d'ensemble de l'interface numérique des transformateurs de mesure

Un schéma de principe général représentatif d'un transformateur de mesure à sortie numérique est représenté dans la Figure 901. Il présente des informations relatives au courant et/ou à la tension provenant des convertisseurs secondaires (CS dans la Figure 901) et alimente un bloc commun appelé "concentrateur". Le concentrateur assure le traitement de données (échantillonnage, conversion analogique/numérique, mise à l'échelle, formatage de message, etc.) nécessaire à la production d'un flux de données de sortie cohérent dans le temps conforme à la présente norme. Pour les besoins de la présente norme, un concentrateur est une unité physique (sous-système matériel) permettant d'assembler et de transmettre des trames de données de sortie numérique.

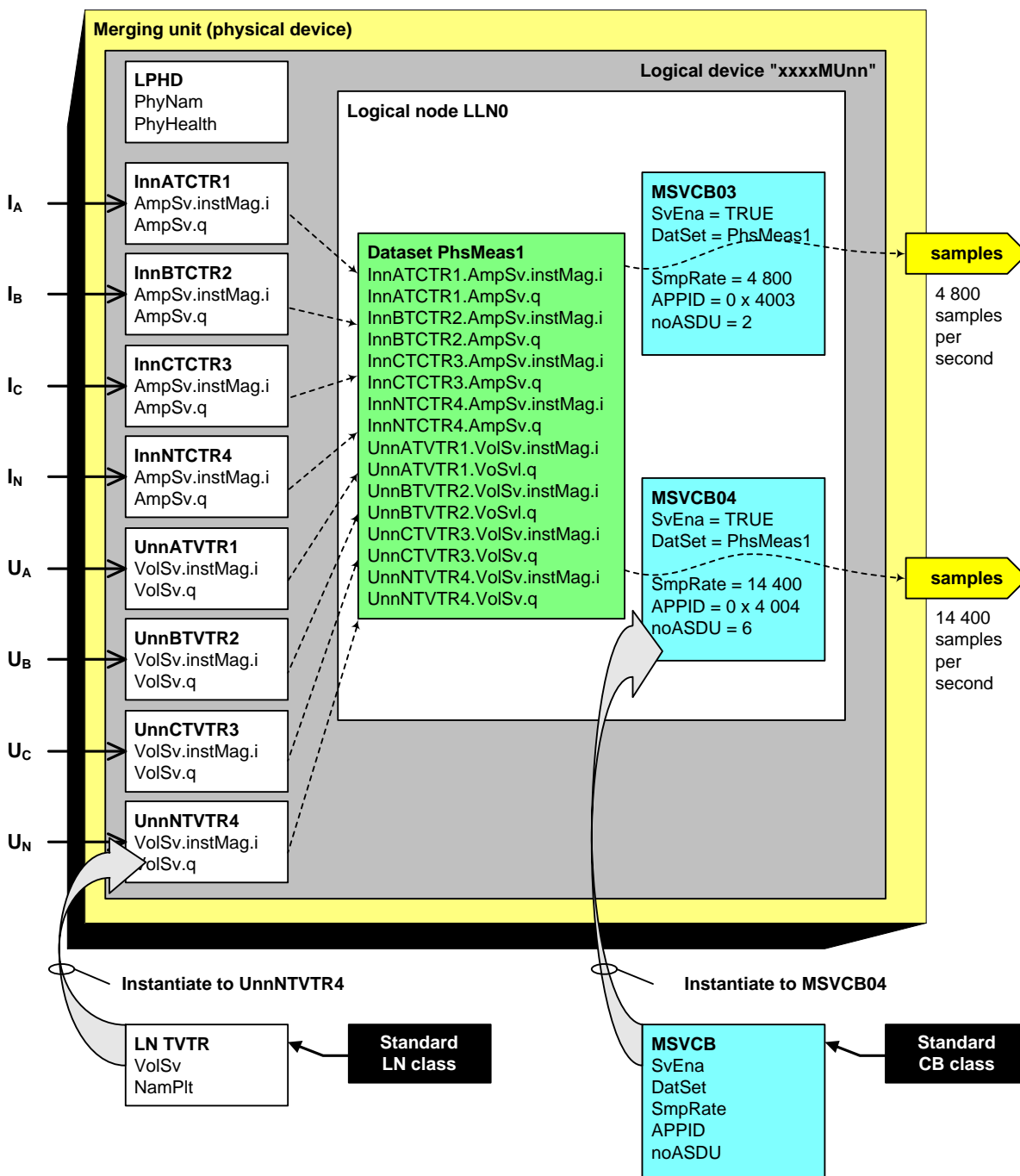


IEC

Anglais	Français
SC of ECTa (meas.)	CS d'ECTa (mes.)
SC of ECTb (meas.)	CS d'ECTb (mes.)
SC of ECTc (meas.)	CS d'ECTc (mes.)
SC of ECTa (prot.)	CS d'ECTa (prot.)
SC of ECTb (prot.)	CS d'ECTb (prot.)
SC of ECTc (prot.)	CS d'ECTc (prot.)
SC of ECT neutral	CS d'ECT (neutre)
SC of EVTa	CS d'EVTa
SC of EVTb	CS d'EVTb
SC of EVTc	CS d'EVTc
SC of EVT neutral	CS d'EVT (neutre)
SC of EVT busbar	CS d'EVT (jeu de barres)
Merging unit	Concentrateur
Digital output	Sortie numérique
Clock input	Entrée d'horloge
Power supply	Alimentation électrique

Figure 901 – Schéma de principe général d'un transformateur de mesure électronique de faible puissance à sortie numérique

Un concentrateur est modélisé sous la forme d'un ou de plusieurs dispositifs logiques contenant plusieurs nœuds logiques (voir la Figure 902).



IEC

Anglais	Français
Merging unit (physical device)	Concentrateur (dispositif physique)
Logical node LLN0	Nœud logique LLN0
Logical device "xxxMUnn"	Dispositif logique "xxxMUnn"
samples	échantillons
4 800 samples per second	4 800 échantillons par seconde
14 400 samples per second	14 400 échantillons par seconde
Instantiate to UnnNTVTR4	Instancier vers UnnNTVTR4
Instantiate to MSVCB04	Instancier vers MSVCB04
Standard LN class	Classe LN (nœud logique) normalisée
Standard CB class	Classe CB (disjoncteur) normalisée

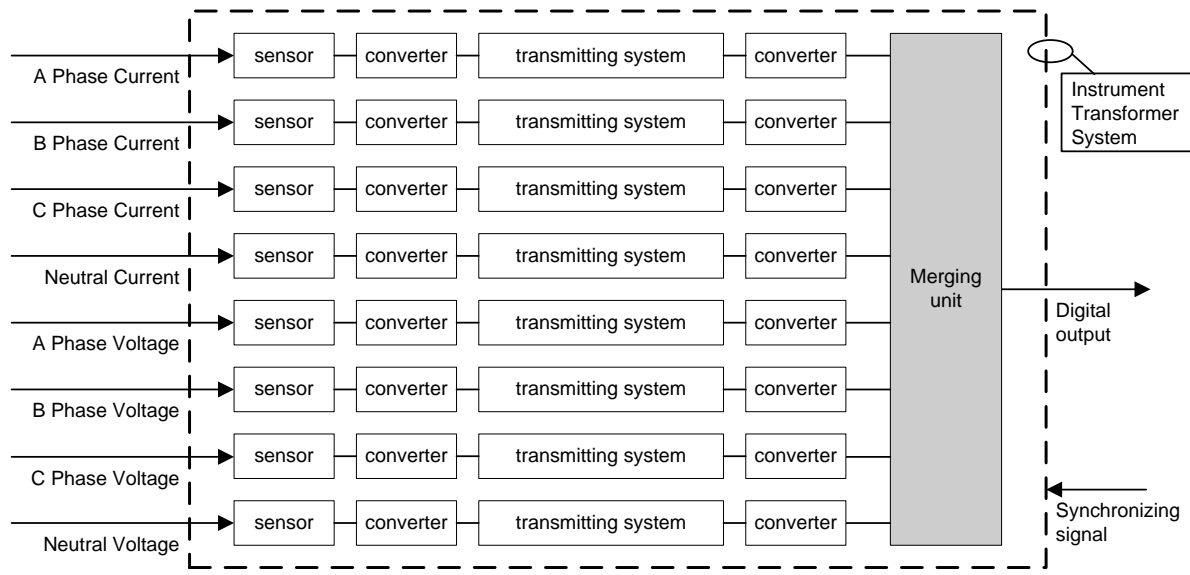
Figure 902 – Représentation générale des objets dans un concentrateur (exemple)

Les mesurages de courant et de tension de cet exemple de concentrateur (Figure 902) sont modélisés par l'IEC 61850-7-1 à l'aide des nœuds logiques suivants:

- Classe **TCTR** selon l'IEC 61850-7-4, instanciée individuellement pour chacune des trois phases de transformateur de courant et pour le mesurage de courant neutre.
- Classe **TVTR** selon l'IEC 61850-7-4, instanciée individuellement pour chacune des trois phases de transformateur de tension et pour le mesurage de tension neutre.
- Le nœud logique zéro **LLNO** contenant des instances des blocs de contrôle de la valeur échantillonnée (MSVCB03 et MSVCB04 dans cet exemple) contrôlant la publication simultanée des flux de données IEC 61850-9-2 (dans cet exemple, un avec 4 800 échantillons par seconde et 2 échantillons par trame, soit une vitesse de trame de 2 400 par seconde, et l'autre avec 14 400 échantillons par seconde et 6 échantillons par trame, soit également une vitesse de trame de 2 400 par seconde) et un ensemble de données contrôlant le contenu des messages de sortie numérique de la valeur échantillonnée.

Les fréquences d'échantillonnage applicables, la synchronisation, les blocs de contrôle et l'ensemble de données sont définis dans la présente norme.

La réalisation physique des concepts ci-dessus peut varier selon la technologie appliquée, déterminant les parties nécessaires à la réalisation d'un transformateur de mesure réel. Ce type de réalisation représentant un transformateur de mesure électronique de faible puissance à sortie de données numérique intégrée est représenté dans la Figure 903 et décrit en détail dans les normes spécifiques aux produits correspondants dans la série IEC 61869 (Partie 7, Partie 8, Partie 12, Partie 14, Partie 15).



IEC

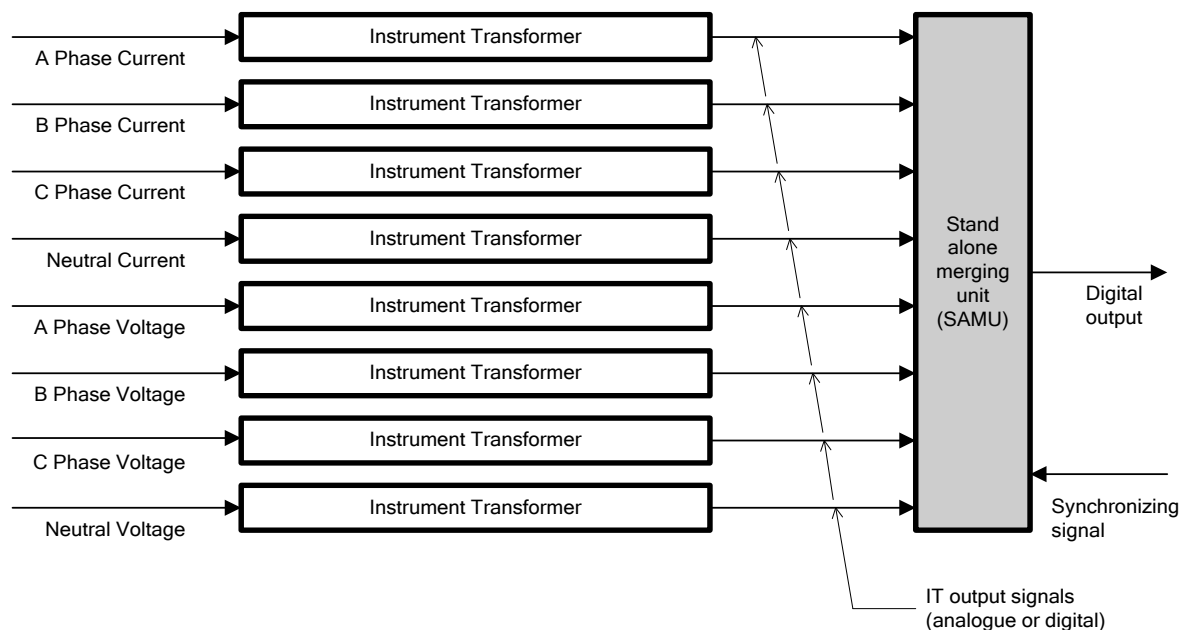
Anglais	Français
A Phase Current	Courant de phase A
B Phase Current	Courant de phase B
C Phase Current	Courant de phase C
Neutral Current	Courant neutre
A Phase Voltage	Tension de phase A
B Phase Voltage	Tension de phase B
C Phase Voltage	Tension de phase C
Neutral Voltage	Tension neutre
sensor	capteur
converter	convertisseur
transmitting system	système de transmission
Instrument Transformer System	Système de transformateur de mesure
Merging unit	Concentrateur
Digital output	Sortie numérique
Synchronizing signal	Signal de synchronisation

Figure 903 – Transformateur de mesure électronique de faible puissance à sortie numérique (exemple de concept)

Il n'est absolument pas nécessaire d'inclure toutes les parties représentées dans la Figure 903. Pour plus de clarté, les alimentations électriques ne sont pas représentées ici. Un transformateur de mesure peut être mis en œuvre dans une seule unité physique ou dans plusieurs unités physiques. Par exemple, il peut exister une unité physique distincte pour chaque phase contenant les capteurs de tension et/ou de courant primaires, les convertisseurs primaires et l'isolation primaire, tous les convertisseurs secondaires et le concentrateur se trouvant dans une unité physique séparée dans le boîtier de commande. Le nombre d'entrées primaires et leur type (tension ou courant) dans un seul transformateur de mesure peuvent être différents de ceux indiqués dans le cas présent.

À titre de comparaison, un diagramme général représentatif d'une installation utilisant un concentrateur indépendant (SAMU - Stand Alone Merging Unit) est représenté dans la

Figure 904. À l'inverse du concentrateur dans un transformateur de mesure, un SAMU est un produit distinct présenté dans l'IEC 61869-13. Il accepte en entrée les sorties des transformateurs de mesure, à savoir les sorties conformes aux spécifications de l'une des normes de produit de la série IEC 61869. Le nombre d'entrées et leur type (tension ou courant) peuvent être différents de ceux indiqués dans la Figure 904. En principe, il convient que la sortie générée par un SAMU et celle générée par un transformateur de mesure électronique de faible puissance équipé d'un concentrateur intégré soient impossibles à différencier (en excluant le fait que la précision de la sortie du SAMU est en général moindre compte tenu de l'association des spécifications de précision du transformateur de mesure donné et du SAMU).



IEC

Anglais	Français
A Phase Current	Courant de phase A
B Phase Current	Courant de phase B
C Phase Current	Courant de phase C
Neutral Current	Courant neutre
A Phase Voltage	Tension de phase A
B Phase Voltage	Tension de phase B
C Phase Voltage	Tension de phase C
Neutral Voltage	Tension neutre
Instrument Transformer	Transformateur de mesure
Standalone merging unit (SAMU)	Concentrateur indépendant (SAMU)
Digital output	Sortie numérique
Synchronizing signal	Signal de synchronisation
IT output signals (analogue or digital)	Signaux de sortie du transformateur de mesure (analogiques ou numériques)

Un exemple sera présenté dans l'IEC 61869-13¹ dès lors que ladite norme sera disponible.

Figure 904 – Concentrateur indépendant

¹ À l'étude.

TRANSFORMATEURS DE MESURE –

Partie 9: Interface numérique des transformateurs de mesure

1 Domaine d'application

La présente partie de l'IEC 61869 est une norme de familles de produits applicable aux transformateurs de mesure à sortie numérique. La norme de produit est composée de l'IEC 61869-1 et de l'IEC 61869-6, en plus de la présente norme et des normes spécifiques aux produits correspondants dans la série IEC 61869 (Partie 7, Partie 8, Partie 12, Partie 13, Partie 14 et Partie 15).

La présente norme définit les exigences en matière de communication numérique des mesurages de transformateurs de mesure. Elle repose sur la série IEC 61850, sur le document *Implementation guideline for digital interface to instrument transformers using IEC 61850-9-2* de l'UCA International Users Group et sur les parties correspondantes de l'IEC 60044-8 qui sont remplacées par la présente norme. Elle inclut des améliorations supplémentaires, notamment la synchronisation basée sur le réseau de l'IEC 61588.

2 Références normatives

Les documents ci-après, dans leur intégralité ou non, sont des références normatives indispensables à l'application du présent document. Pour les références datées, seule l'édition citée s'applique. Pour les références non datées, la dernière édition du document de référence s'applique (y compris les éventuels amendements).

L'Article 2 de l'IEC 61869-6:2016 s'applique, avec les ajouts suivants:

IEC 61588:2009, *Precision clock synchronization protocol for networked measurement and control systems* (disponible en anglais seulement)

IEC 61850-6:2009, *Communication networks and systems for power utility automation – Part 6: Configuration description language for communication in electrical substations related to IEDs* (disponible en anglais seulement)

IEC 61850-7-1:2011, *Réseaux et systèmes de communication pour l'automatisation des systèmes électriques – Partie 7-1: Structure de communication de base – Principes et modèles*

IEC 61850-7-2:2010, *Communication networks and systems for power utility automation – Part 7-2: Basic information and communication structure – Abstract communication service interface (ACSI)* (disponible en anglais seulement)

IEC 61850-7-3:2010, *Réseaux et systèmes de communication pour l'automatisation des systèmes électriques – Partie 7-3: Structure de communication de base – Classes de données communes*

IEC 61850-8-1:2011, *Réseaux et systèmes de communication pour l'automatisation des systèmes électriques – Partie 8-1: Mise en correspondance des services de communication spécifiques (SCSM) – Mises en correspondance pour MMS (ISO 9506-1 et ISO 9506-2) et pour l'ISO/CEI 8802-3*

IEC 61850-9-2:2011, *Réseaux et systèmes de communication pour l'automatisation des systèmes électriques – Partie 9-2: Mise en correspondance des services de communication spécifiques (SCSM) – Valeurs échantillonnées sur ISO/CEI 8802-3*

IEC/IEEE 61850-9-3:2016, *Communication networks and systems for power utility automation – Part 9-3: Precision time protocol profile for power utility automation* (disponible en anglais seulement)

IEC 61850-10:2012, *Réseaux et systèmes de communication pour l'automatisation des systèmes électriques – Partie 10: Essais de conformité*

IEC 61869-6:2016, *Instrument transformers – Part 6: Additional general requirements for low-power instrument transformers* (disponible en anglais seulement)

UCA (International Users Group), *Implementation guideline for digital interface to instrument transformers using IEC 61850-9-2*